

MOTOR SPECIFICATION SHEET

MODEL : SCL-QR 1HP 4P

USED FOR : STANDARD

DESCRIPTION	DETAIL			
PHASE	1			
TYPE	CAPACITOR START AND RUN			
MODEL NAME	SCL-QR			
RATED OUTPUT, HP (kW)	1 (0.75)			
POLE	4			
CODE	MEATH CODE : 1M001D-400075QRES0			
OUTLINE DRAWING NO.	ONM94O008-*			
RATED VOLTAGE (V)	220	230	220	
RATED FREQUENCY (Hz)	50	50	60	
RATED CURRENT (A)	5.2	5.3	4.6	
RATED SPEED (min ⁻¹)	1430	1440	1720	
RATED EFFICIENCY (%)	77.5	75.6	81.1	
THERMAL CLASS	130(B)			
RATING	S1 (CONTINUOUS)			
ENCLOSURE CONSTRUCTION	DRIP-PROOF			
DEGREES OF PROTECTION	IP22			
METHOD OF COOLING	IC01			
FRAME NO.	90S			
WEIGHT (kg)	14			
STANDARD	JEC-2137-2000			
EFFICIENCY RULE	IEC 60034-30-1			
INSTALLATION	FOOT MOUNTED			
ROTATION	CCW (VIEWED FROM SHAFT END)			
BEARING	LOAD SIDE : 6204ZZ			
	OPPOSITE SIDE : 6202ZZ			
BEARING GREASE	UREA GREASE			
VIBRATION	V20			
CIRCUMSTANCE CONDITION	AMBIENT TEMPERATURE : -20 ~ +40°C			
	AMBIENT HUMIDITY : 85%RH OR LESS			
	ABOVE SEA LEVEL : 1000m OR LESS			
	ENVIRONMENT : NO BURSTING/EROSIVE GAS OR VAPOR			
COLOR	MUNSELL N1.5 (BLACK)			
TERMINAL BOX	NO. OF LEAD WIRES : 4			
	SOURCE CONNECTION : LEAD WIRES			
INSULATION RESISTANCE	BY DC 500V MEGGER - ≥100MΩ			
DIELECTRIC TEST	AC 50Hz 1500V - 1min. (Based on rated voltage 220V)			
SHAFT SWING	≤0.03mm			
MATERIAL	FRAME : STEEL PLATE			
	BRACKET : ALUMINIUM			
	SHAFT : CARBON STEEL			
	STATOR CORE : ELECTRICAL STEEL			
	WIRE : ENAMELLED COPPER MAGNET WIRE			
	INSULATOR : POLYESTER FILM			
	VARNISH : EPOXY DENATURALIZATION POLYESTER			
	ROTOR CORE : ELECTRICAL STEEL			
	CONDUCTOR : ALUMINIUM			
	TERMINAL BOX : STEEL PLATE			
	PAINTING : ALKYD-NITROCELLULOSE RESIN			
PRODUCTION COUNTRY	THAILAND			

Specifications subject to change without notice.

SPECIFICATION SHEET NO.

SS-M-9303-A

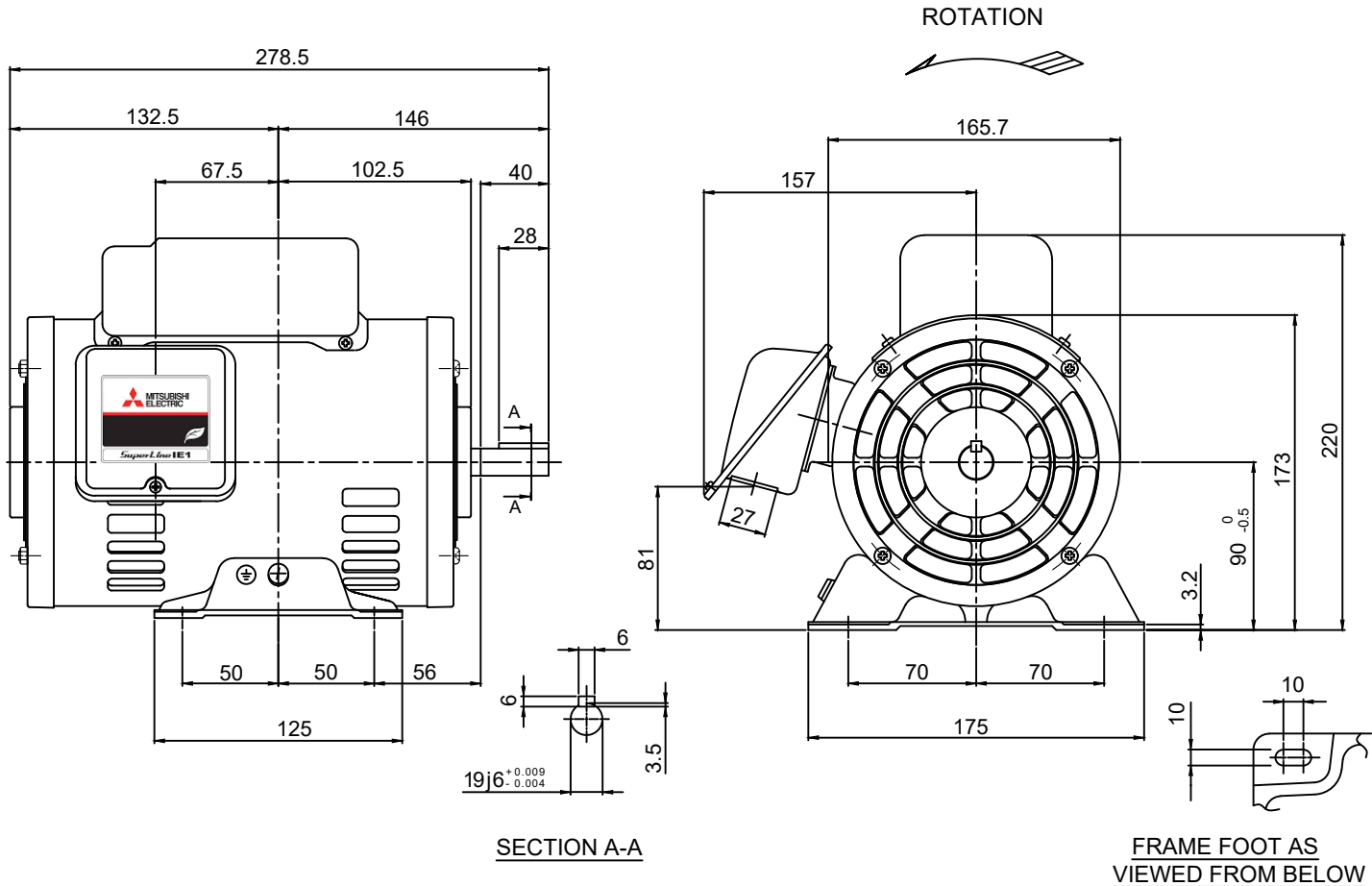
MODEL SCL-QR SINGLE PHASE INDUCTION MOTOR OUTLINE DRAWING

CAPACITOR START AND RUN TYPE

DEGREE OF PROTECTION IP22

STARTING CAPACITOR	100 μ F 250 V
RUNNING CAPACITOR	15 μ F 440 V

CUSTOMER	_____
USER	_____
FOR	_____
CUSTOMER'S ORDER NO.	_____
QUANTITY	_____
MFG. ORDER NO.	_____



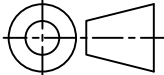
SECTION A-A

FRAME FOOT AS VIEWED FROM BELOW

FRAME SIZE	RATING	TH. CLASS	AMB. TEMP.	BEARINGS		COLOR	DIRECTION OF ROTATION	NO. OF LEAD WIRES
				LOAD SIDE	OPP. SIDE			
90S	S1	130(B)	40°C	6204ZZ	6202ZZ	BLACK (MUNSELL N1.5)	CCW	4

OUTPUT		POLE	Hz	VOLT	AMP	RPM	IE CODE - RATED EFF.	REMARK
HP	KW							
1	0.75	4	50	220/230	5.2/5.3	1430/1440	IE1- 77.5% / IE1- 75.6%	
			60	220	4.6	1720	IE1- 81.1%	

MITSUBISHI ELECTRIC AUTOMATION (THAILAND) CO.,LTD.

 DIMENSION IN mm.	SCALE : NTS.	OUTLINE DRAWING NO.	ONM940008	REV.
				